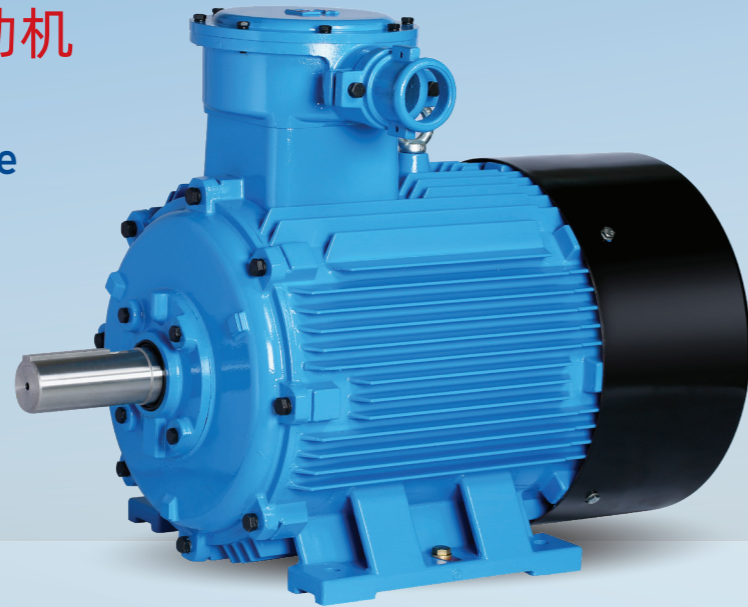


# YBX3

## 隔爆型三相异步电动机

### YBX3 Series Flameproof Three-phase Asynchronous Motor



该系列电动机是我公司为爆炸性气体环境而设计的一款隔爆型电动机，其效率指标满足GB18613-2020中的3级能效限定值，具有高效、节能、寿命长等优点。电机性能好，振动小。

本系列电动机的隔爆性能符合GB3836.1-2021《爆炸性气体环境通用电气设备第1部分：通用要求》，GB3836.2-2021《爆炸性气体环境通用电气设备第2部分：隔爆型“d”》标准的规定，类别有ExdbIIAT4Gb、ExdbIIBT4Gb。

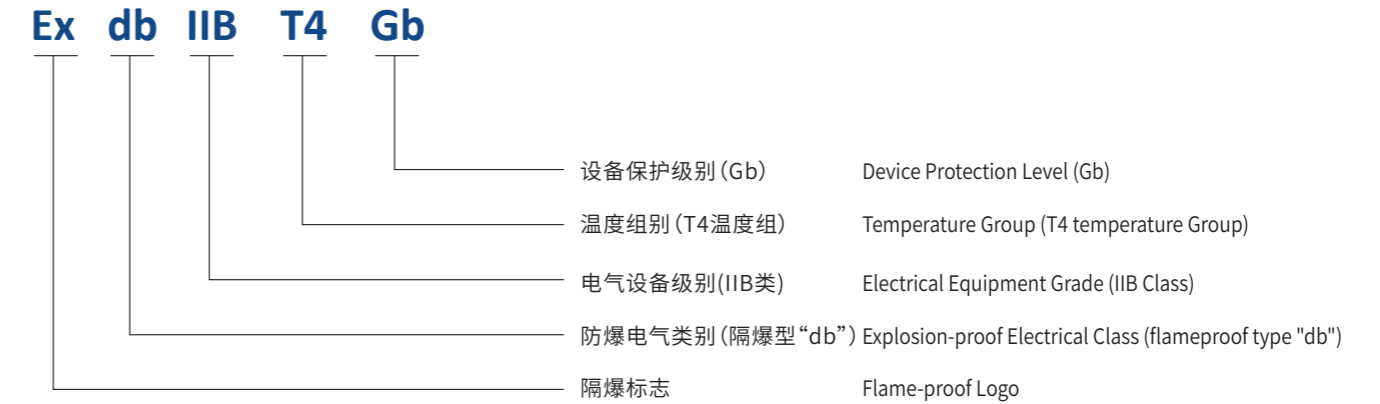
YBX3 series high efficiency three phase motors is a flameproof type motor specially designed by our company for explosive gas environment. Its efficiency index meets the level 3 energy efficiency limit value in GB18613-2020, which has the advantages of high efficiency, energy saving and long life, etc. Good motor performance, low vibration.

The flameproof performance of this series motor conforms to the provisions of GB3836.1-2021 in General Electric Equipment for Environments with Explosive Gases--part 1: General Requirements, GB3836.2-2021 in General Electric Equipment for Environments with Explosive Gases--part 2: Flameproof type "d", and the categories include ExdbIIAT4Gb and ExdbIIBT4Gb.

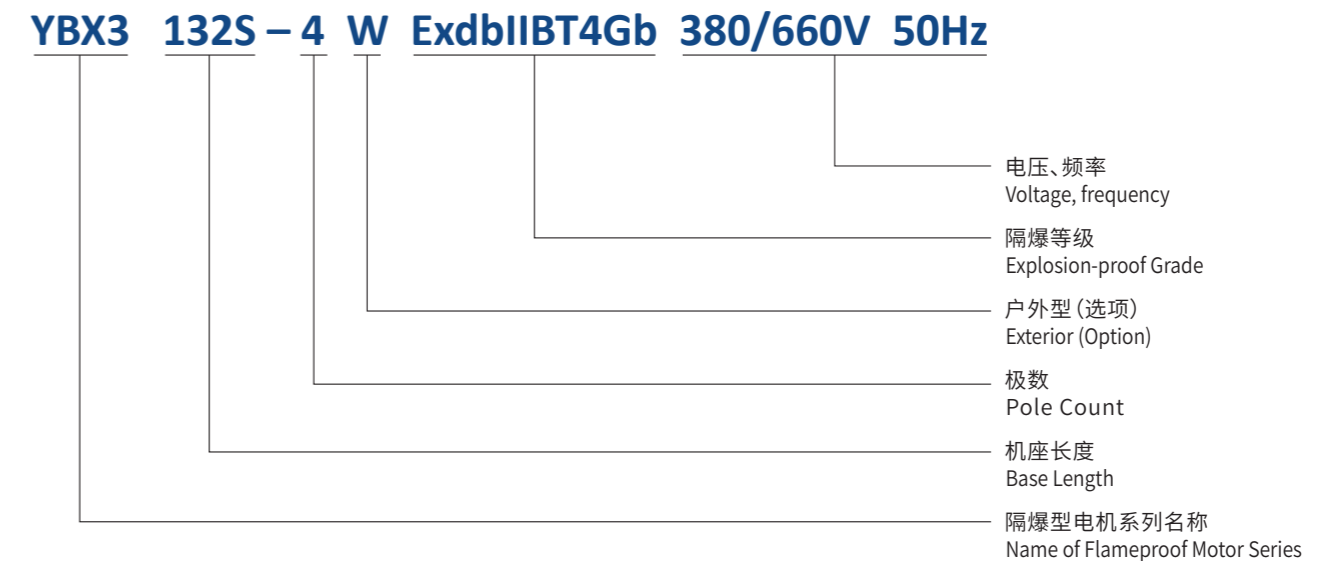
**隔爆型ExdbIIAT4Gb** 适用于工厂用IIA类，温度级别T1,T2,T3,T4组别爆炸性气体混合物存在的环境，代表气体：乙醛、三甲胺  
It is suitable for the environment in which explosive gas mixtures of IIA, T1,T2,T3 and T4 are used in factories. The representative gases are acetaldehyde and trimethylamine.

**隔爆型ExdbIIBT4Gb** 适用于工厂用IIB类，温度级别T1,T2,T3,T4组别爆炸性气体混合物存在的环境，代表气体：乙基甲基醚、二乙醚  
It is suitable for the environment where explosive gas mixture exists in IIB class, temperature grades T1,T2,T3 and T4, and the representative gases are ethyl methyl ether and diethyl ether.

#### 隔爆等级说明 Description of Flameproof Level



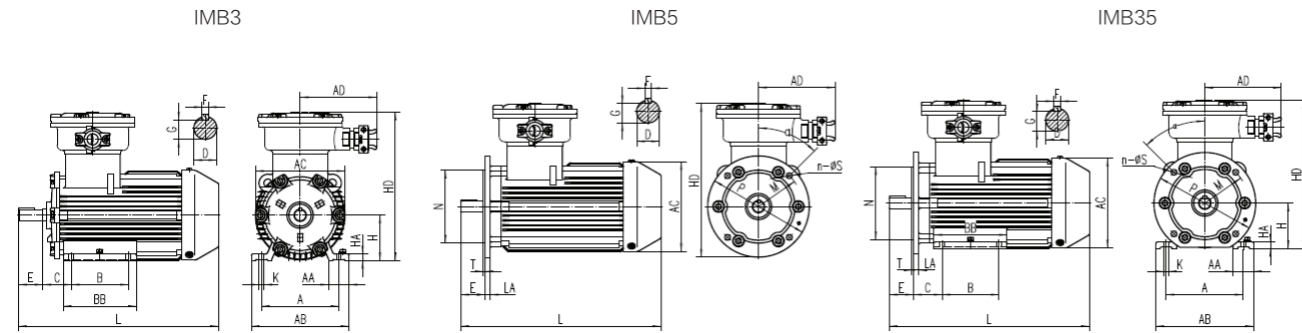
#### 产品型号示例 Sample Product Model



#### 主要技术条件和使用条件 Main Technical Conditions and Service Conditions

额定电压 Rated Voltage	380V、380/660V、660V	额定频率 Rated Frequency	50Hz
防护等级 Protection Grade	IP55	绝缘等级 Insulation Class	F
冷却方式 Cooling Way	IC411	工作制 Work System	S1
环境温度 Environment Temperature	-20~+40°C	海拔 Elevation	≤1000m

YBX3系列隔爆型三相异步电动机安装及外形尺寸图 YBX3 Series Motor Mounting and Overall Dimensions



机座号 Frame Size	安装尺寸 Mounting Dimensions(mm)														外形尺寸 Overall Dimensions(mm)														
	A	B	C	D 2P 4-SP	E 2P 4-SP	F 2P 4-SP	G 2P 4-SP	H	K	M	N	P	T	n-φS	α	AA	AB	AC	AD	BB	HA	HD	LA	L 2P 4-SP					
80	125	100	50	19	40	6	15.5	80	10	165	130	200	3.5	4-φ12	45	34	160	167	190	130	20	295	12	320					
90S	140	100	56	24	50	8	20	90	10	165	130	200	3.5	4-φ12	45	36	180	180	190	135	14	315	12	370					
90L	140	125	56	24	50	8	20	90	10	165	130	200	3.5	4-φ12	45	36	180	180	190	155	14	315	12	395					
100L	160	140	63	28	60	8	24	100	12	215	180	250	4	4-φ14.5	45	43	200	207	190	176	14	340	13	445					
112M	190	140	70	28	60	8	24	112	12	215	180	250	4	4-φ14.5	45	50	240	221	205	180	16	370	13	495					
132S	216	140	89	38	80	10	33	132	12	265	230	300	4	4-φ14.5	45	60	276	260	205	190	18	415	13	510					
132M	216	178	89	38	80	10	33	132	12	265	230	300	4	4-φ14.5	45	60	276	260	205	230	18	415	15	550					
160M	254	210	108	42	110	12	37	160	14.5	300	250	350	5	4-φ18.5	45	70	324	315	210	258	20	490	16	680					
160L	254	254	108	42	110	12	37	160	14.5	300	250	350	5	4-φ18.5	45	70	324	315	210	302	20	490	16	710					
180M	279	241	121	48	110	14	42.5	180	14.5	300	250	350	5	4-φ18.5	45	70	349	356	210	311	20	530	18	765					
180L	279	279	121	48	110	14	42.5	180	14.5	300	250	350	5	4-φ18.5	45	70	349	356	210	349	20	530	18	785					
200L	318	305	133	55	110	16	49	200	18.5	350	300	400	5	4-φ18.5	45	70	388	400	235	366	25	585	20	835					
225S	356	286	149	-	60	-	140	-	18	-	53	225	18.5	400	350	450	5	8-φ18.5	22.5	75	431	446	235	355	28	630	20	-	875
225M	356	311	149	55	60	110	140	16	18	49	53	225	18.5	400	350	450	5	8-φ18.5	22.5	75	431	446	235	380	28	630	20	875	905
250M	406	349	168	60	65	140	18	18	53	58	250	24	500	450	550	5	8-φ18.5	22.5	80	486	495	280	420	30	715	22	955		
280S	457	368	90	65	75	140	18	20	58	67.5	280	24	500	450	550	5	8-φ18.5	22.5	85	542	548	280	438	35	780	25	995	1005	
280M	457	419	190	65	75	140	18	20	58	67.5	280	24	500	450	550	5	8-φ18.5	22.5	85	542	548	280	489	35	780	25	1050	1060	
315S	508	406	216	65	80	140	170	18	22	58	71	315	28	600	550	660	6	8-φ24	22.5	120	628	620	325	550	45	915	22	1185	1265
315M	508	457	216	65	80	140	170	18	22	58	71	315	28	600	550	660	6	8-φ24	22.5	120	628	620	325	680	45	915	22	1305	1395
315L	508	508	216	65	80	140	170	18	22	58	71	315	28	600	550	660	6	8-φ24	22.5	120	628	620	325	680	45	915	22	1305	1395
355S	610	500	254	75	95	140	170	20	25	67.5	86	355	28	740	680	800	6	8-φ24	22.5	116	726	700	325	636	52	1045	25	1455	1485
355M	610	560	254	75	95	140	170	20	25	67.5	86	355	28	740	680	800	6	8-φ24	22.5	116	726	700	325	696	52	1045	25	1535	1565
355L	610	630	254	75	95	140	170	20	25	67.5	86	355	28	740	680	800	6	8-φ24	22.5	116	726	700	325	766	52	1045	25	1645	1675

注: 若有特殊要求, 可按用户需求提供。 Please contact us with your requirement.

技术数据 Synchronous Speed 3000rpm Technical data

380V 50Hz

型号 Type	功率 Output (kW)	额定电流 Current (A)	效率 Efficiency (%)	功率因数 P.F.	额定转速 Rated Speed (r/min)	堵转转矩 额定转矩 Tst/Tn	堵转电流 额定电流 Ist/In	最大转矩 额定转矩 Tmax/Tn
YBX3-80M1-2	0.75	1.70	80.7	0.83	2870	2.3	6.8	2.3
YBX3-80M2-2	1.1	2.43	82.7	0.83	2880	2.3	7.3	2.3
YBX3-90S-2	1.5	3.22	84.2	0.84	2900	2.3	7.6	2.3
YBX3-90L-2	2.2	4.58	85.9	0.85	2900	2.3	7.8	2.3
YBX3-100L-2	3	6.02	87.1	0.87	2900	2.3	8.1	2.3
YBX3-112M-2	4	7.84	88.1	0.88	2900	2.3	8.3	2.3
YBX3-132S1-2	5.5	10.6	89.2	0.88	2915	2.2	8.0	2.3
YBX3-132S2-2	7.5	14.2	90.1	0.89	2915	2.2	7.8	2.3
YBX3-160M1-2	11	20.6	91.2	0.89	2940	2.2	7.9	2.3
YBX3-160M2-2	15	27.9	91.9	0.89	2945	2.2	8.0	2.3
YBX3-160L-2	18.5	34.2	92.4	0.89	2945	2.2	8.1	2.3
YBX3-180M-2	22	40.5	92.7	0.89	2950	2.2	8.2	2.3
YBX3-200L1-2	30	54.9	93.3	0.89	2955	2.2	7.5	2.3
YBX3-200L2-2	37	67.4	93.7	0.89	2955	2.2	7.5	2.3
YBX3-225M-2	45	81.7	94.0	0.89	2960	2.2	7.6	2.3
YBX3-250M-2	55	99.6	94.3	0.89	2980	2.2	7.6	2.3
YBX3-280S-2	75	135	94.7	0.89	2980	2.0	6.9	2.3
YBX3-280M-2	90	162	95.0	0.89	2980	2.0	7.0	2.3
YBX3-315S-2	110	197	95.2	0.89	2980	1.9	7.1	2.2
YBX3-315M-2	132	236	95.4	0.89	2980	1.9	7.1	2.2
YBX3-315L1-2	160	286	95.6	0.89	2980	1.9	7.1	2.2
YBX3-315L2-2	200	356	95.8	0.89	2980	1.9	7.1	2.2
YBX3-355M1-2	220	392	95.8	0.89	2980	1.8	7.1	2.2
YBX3-355M2-2	250	441	95.8	0.90	2980	1.8	7.1	2.2
YBX3-355L1-2	280	493	95.8	0.90	2980	1.8	7.1	2.2
YBX3-355L2-2	315	555	95.8	0.90	2980	1.8	7.1	2.2

技术数据 Synchronous Speed 1500rpm Technical data

380V 50Hz

型号 Type	功率 Output (kW)	额定电流 Current (A)	效率 Efficiency (%)	功率因数 P.F.	额定转速 Rated Speed (r/min)	堵转转矩 额定转矩 Tst/Tn	堵转电流 额定电流 Ist/In	最大转矩 额定转矩 Tmax/Tn
YBX3-80M1-4	0.55	1.38	80.8	0.75	1430	2.3	6.3	2.3
YBX3-80M2-4	0.75	1.84	82.5	0.75	1430	2.3	6.5	2.3
YBX3-90S-4	1.1	2.65	84.1	0.75	1435	2.3	6.6	2.3
YBX3-90L-4	1.5	3.56	85.3	0.75	1435	2.3	6.9	2.3
YBX3-100L1-4	2.2	4.76	86.7	0.81	1445	2.3	7.5	2.3
YBX3-100L2-4	3	6.34	87.7	0.82	1445	2.3	7.6	2.3
YBX3-112M-4	4	8.37	88.6	0.82	1450	2.3	7.7	2.3
YBX3-132S-4	5.5	11.4	89.6	0.82	1460	2.0	7.5	2.3
YBX3-132M-4	7.5	15.2	90.4	0.83	1460	2.0	7.4	2.3
YBX3-160M-4	11	21.5	91.4	0.85	1470	2.0	7.5	2.3
YBX3-160L-4	15	29.1	92.1	0.85	1470	2.0	7.5	2.3
YBX3-180M-4	18.5	35.3	92.6	0.86	1470	2.0	7.7	2.3
YBX3-180L-4	22	41.8	93.0	0.86	1475	2.0	7.8	2.3

技术数据 Synchronous Speed 1500rpm Technical data

380V 50Hz

型号 Type	功率 Output (kW)	额定电流 Current (A)	效率 Efficiency (%)	功率因数 P.F.	额定转速 Rated Speed (r/min)	堵转转矩 额定转矩 Tst/Tn	堵转电流 额定电流 Ist/In	最大转矩 额定转矩 Tmax/Tn
YBX3-200L-4	30	56.6	93.6	0.86	1475	2.0	7.2	2.3
YBX3-225S-4	37	68.8	93.9	0.87	1480	2.0	7.3	2.3
YBX3-225M-4	45	83.4	94.2	0.87	1480	2.0	7.4	2.3
YBX3-250M-4	55	100	94.6	0.88	1480	2.0	7.4	2.3
YBX3-280S-4	75	136	95.0	0.88	1480	2.0	6.7	2.3
YBX3-280M-4	90	161	95.2	0.89	1480	2.0	7.0	2.3
YBX3-315S-4	110	197	95.4	0.89	1490	2.0	7.0	2.2
YBX3-315M-4	132	236	95.6	0.89	1490	2.0	7.0	2.2
YBX3-315L1-4	160	285	95.8	0.89	1490	2.0	7.0	2.2
YBX3-315L2-4	200	356	96.0	0.89	1490	2.0	7.0	2.2
YBX3-355M1-4	220	391	96.0	0.89	1490	2.0	7.0	2.2
YBX3-355M2-4	250	445	96.0	0.89	1490	2.0	7.0	2.2
YBX3-355L1-4	280	498	96.0	0.89	1490	2.0	7.0	2.2
YBX3-355L2-4	315	560	96.0	0.89	1490	2.0	7.0	2.2

技术数据 Synchronous Speed 1000rpm Technical data

380V 50Hz

型号 Type	功率 Output (kW)	额定电流 Current (A)	效率 Efficiency (%)	功率因数 P.F.	额定转速 Rated Speed (r/min)	堵转转矩 额定转矩 Tst/Tn	堵转电流 额定电流 Ist/In	最大转矩 额定转矩 Tmax/Tn
YBX3-90S-6	0.75	2.01	78.9	0.72	925	2.1	5.8	2.1
YBX3-90L-6	1.1	2.83	81.0	0.73	925	2.1	5.9	2.1
YBX3-100L-6	1.5	3.73	82.5	0.74	945	2.1	6.0	2.1
YBX3-112M-6	2.2	5.36	84.3	0.74	960	2.1	6.0	2.1
YBX3-132S-6	3	7.20	85.6	0.74	965	2.0	6.2	2.1
YBX3-132M1-6	4	9.46	86.8	0.74	965	2.0	6.8	2.1
YBX3-132M2-6	5.5	12.7	88.0	0.75	965	2.0	7.1	2.1
YBX3-160M-6	7.5	16.4	89.1	0.78	975	2.1	6.7	2.1
YBX3-160L-6	11	23.7	90.3	0.78	975	2.1	6.9	2.1
YBX3-180L-6	15	30.9	91.2	0.81	980	2.0	7.2	2.1
YBX3-200L1-6	18.5	37.8	91.7	0.81	980	2.1	7.2	2.1
YBX3-200L2-6	22	44.2	92.2	0.82	980	2.1	7.3	2.1
YBX3-225M-6	30	60.6	92.9	0.81	985	2.0	7.1	2.1
YBX3-250M-6	37	71.7	93.3	0.84	985	2.1	7.1	2.1
YBX3-280S-6	45	84.8	93.7	0.86	985	2.1	7.2	2.0
YBX3-280M-6	55	103	94.1	0.86	985	2.1	7.2	2.0
YBX3-315S-6	75	142	94.6	0.85	990	2.0	7.0	2.0
YBX3-315M-6	90	172	94.9	0.84	990	2.0	7.0	2.0
YBX3-315L1-6	110	207	95.1	0.85	990	2.0	7.0	2.0
YBX3-315L2-6	132	244	95.4	0.86	990	2.0	7.0	2.0
YBX3-355S-6	160	292	95.6	0.87	990	1.9	7.0	2.0
YBX3-355M1-6	185	338	95.7	0.87	990	1.9	7.0	2.0
YBX3-355M2-6	200	365	95.8	0.87	990	1.9	7.0	2.0
YBX3-355L1-6	220	401	95.8	0.87	990	1.9	7.0	2.0
YBX3-355L2-6	250	456	95.8	0.87	990	1.9	7.0	2.0

技术数据 Synchronous Speed 750rpm Technical data

380V 50Hz

型号 Type	功率 Output (kW)	额定电流 Current (A)	效率 Efficiency (%)	功率因数 P.F.	额定转速 Rated Speed (r/min)	堵转转矩 额定转矩 Tst/Tn	堵转电流 额定电流 Ist/In	最大转矩 额定转矩 Tmax/Tn
YBX3-132S-8	2.2	5.75	81.9	0.71	710	1.8	6.0	2.0
YBX3-132M-8	3	7.48	83.5	0.73	710	1.8	6.0	2.0
YBX3-160M1-8	4	9.82	84.8	0.73	720	1.9	6.0	2.0
YBX3-160M2-8	5.5	13.1	86.2	0.74	720	1.9	6.0	2.0
YBX3-160L-8	7.5	17.4	87.3	0.75	720	1.9	6.0	2.0
YBX3-180L-8	11	25.2	88.6	0.75	720	2.0	6.5	2.0
YBX3-200L-8	15	33.5	89.6	0.76	730	2.0	6.6	2.0
YBX3-225S-8	18.5	41.0	90.1	0.76	730	1.9	6.6	2.0
YBX3-225M-8	22	47.3	90.6	0.78	730	1.6	6.6	2.0
YBX3-250M-8	30	63.2	91.3	0.79	735	1.9	6.5	2.0
YBX3-280S-8	37	77.5	91.8	0.79	740	1.9	6.6	2.0
YBX3-280M-8	45	93.9	92.2	0.79	740	1.9	6.6	2.0
YBX3-315S-8	55	113	92.5	0.80	740	1.8	6.6	2.0
YBX3-315M-8	75	153	93.1	0.80	740	1.8	6.4	2.0
YBX3-315L1-8	90	183	93.4	0.80	740	1.8	6.4	2.0
YBX3-315L2-8	110	218	93.7	0.82	740	1.8	6.4	2.0
YBX3-355S-8	132	260	94.0	0.82	740	1.8	6.4	2.0
YBX3-355M-8	160	314	94.3	0.82	740	1.8	6.4	2.0
YBX3-355L1-8	185	363	94.5	0.82	740	1.8	6.4	2.0
YBX3-355L2-8	200	387	94.6	0.83	740	1.8	6.4	2.0

技术数据 Synchronous Speed 600rpm Technical data

380V 50Hz

型号 Type	功率 Output (kW)	额定电流 Current (A)	效率 Efficiency (%)	功率因数 P.F.	额定转速 Rated Speed (r/min)	堵转转矩 额定转矩 Tst/Tn	堵转电流 额定电流 Ist/In	最大转矩 额定转矩 Tmax/Tn
YBX3-315S-10	45	100	91.2	0.75	590	1.3	6.2	2.0
YBX3-315M-10	55	121	91.8	0.75	590	1.3	6.2	2.0
YBX3-315L1-10	75	162	92.3	0.76	590	1.3	6.2	2.0
YBX3-315L2-10	90	191	92.9	0.77	590	1.3	6.2	2.0
YBX3-355S-10	90	191	92.9	0.77	590	1.3	6.0	2.0
YBX3-355M1-10	110	230	93.1	0.78	590	1.3	6.0	2.0
YBX3-355M2-10	132	275	93.5	0.78	590	1.3	6.0	2.0
YBX3-355L1-10	160	333	93.5	0.78	590	1.3	6.0	2.0
YBX3-355L2-10	185	385	93.5	0.78	590	1.3	6.0	2.0

注: 若有特殊要求, 可按用户需求提供。 Please contact us with your requirement.